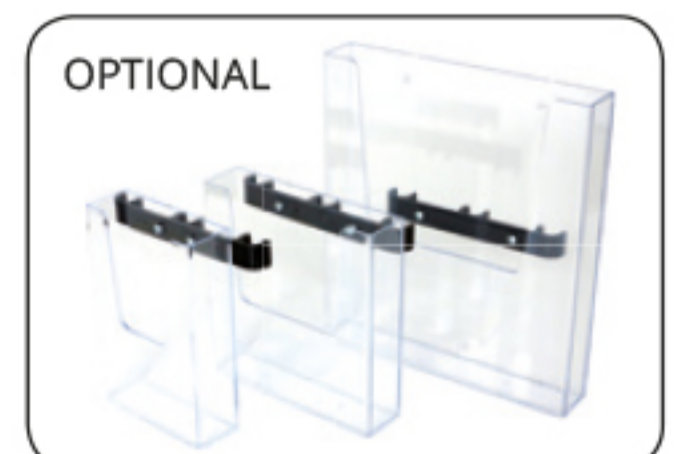
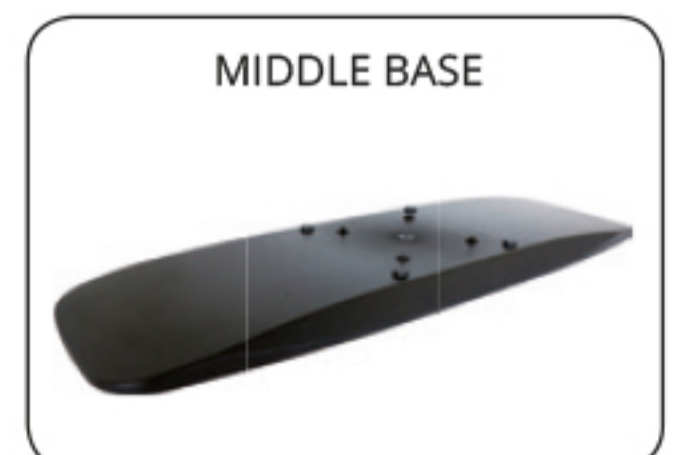
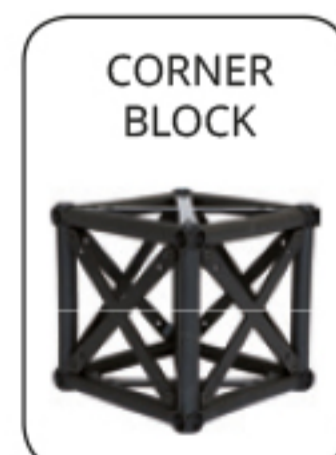
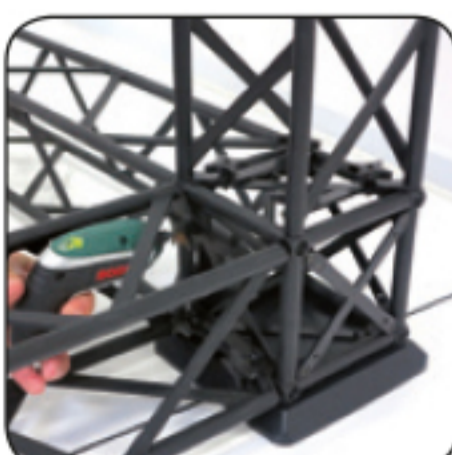
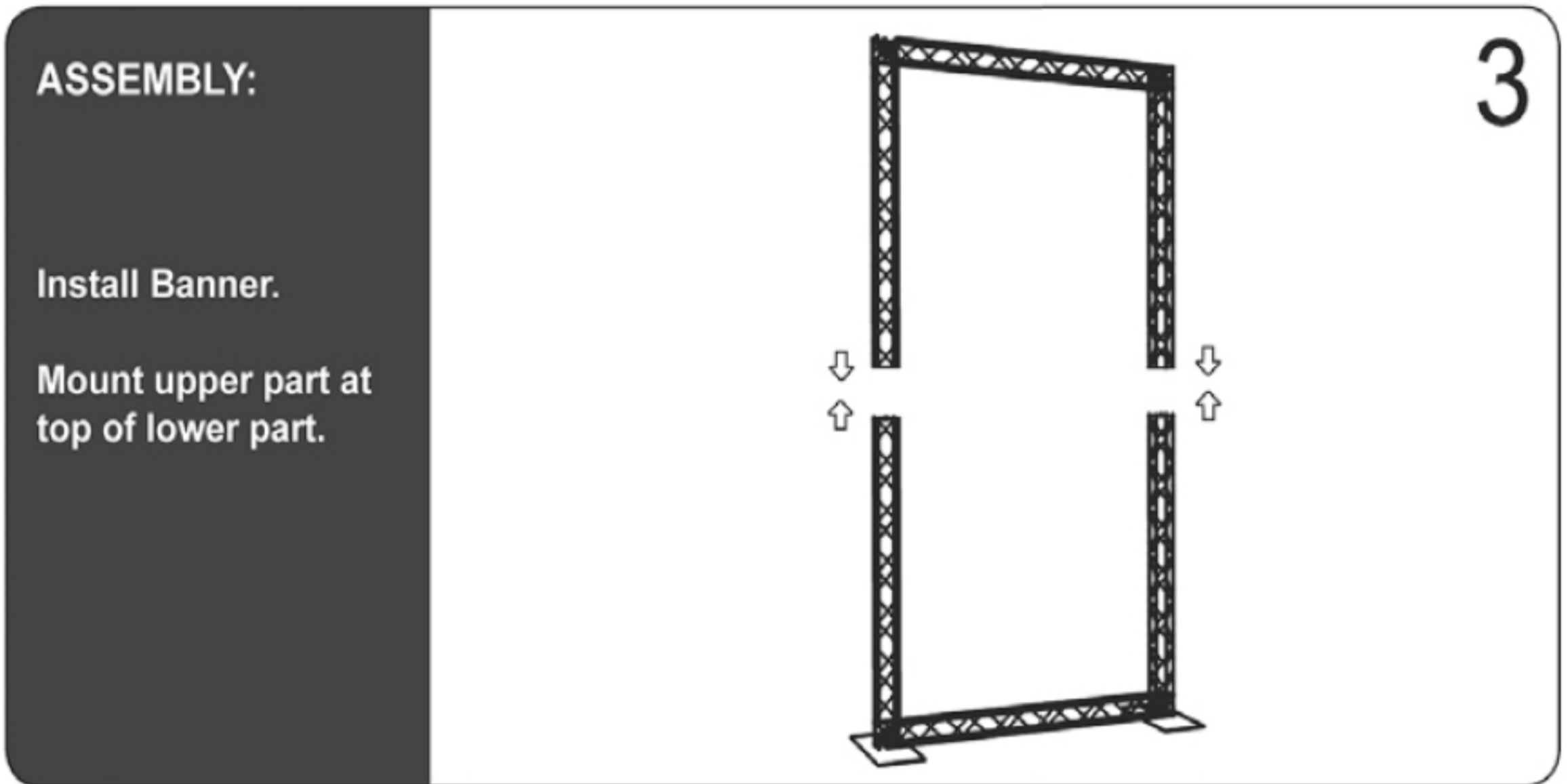
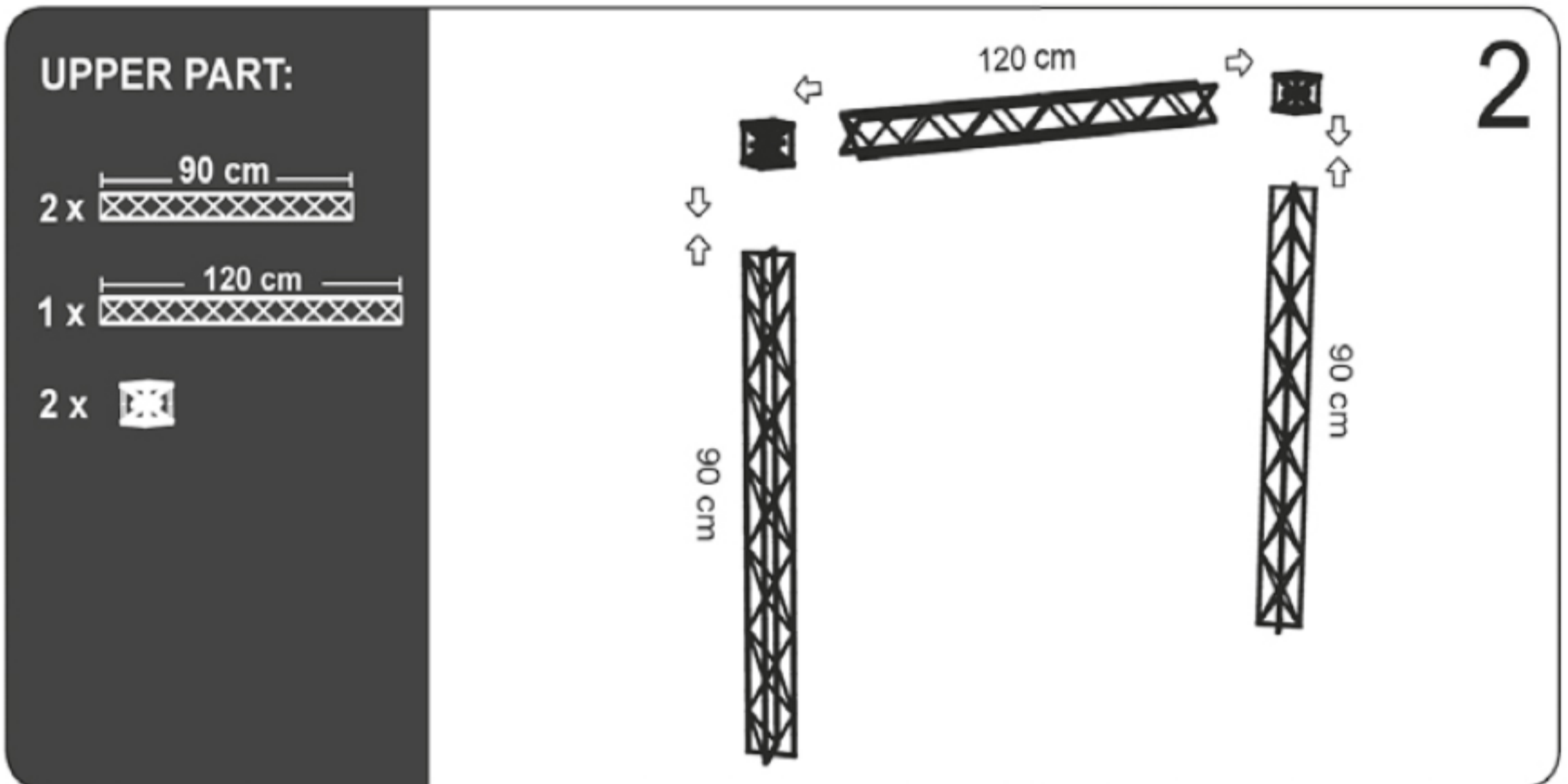
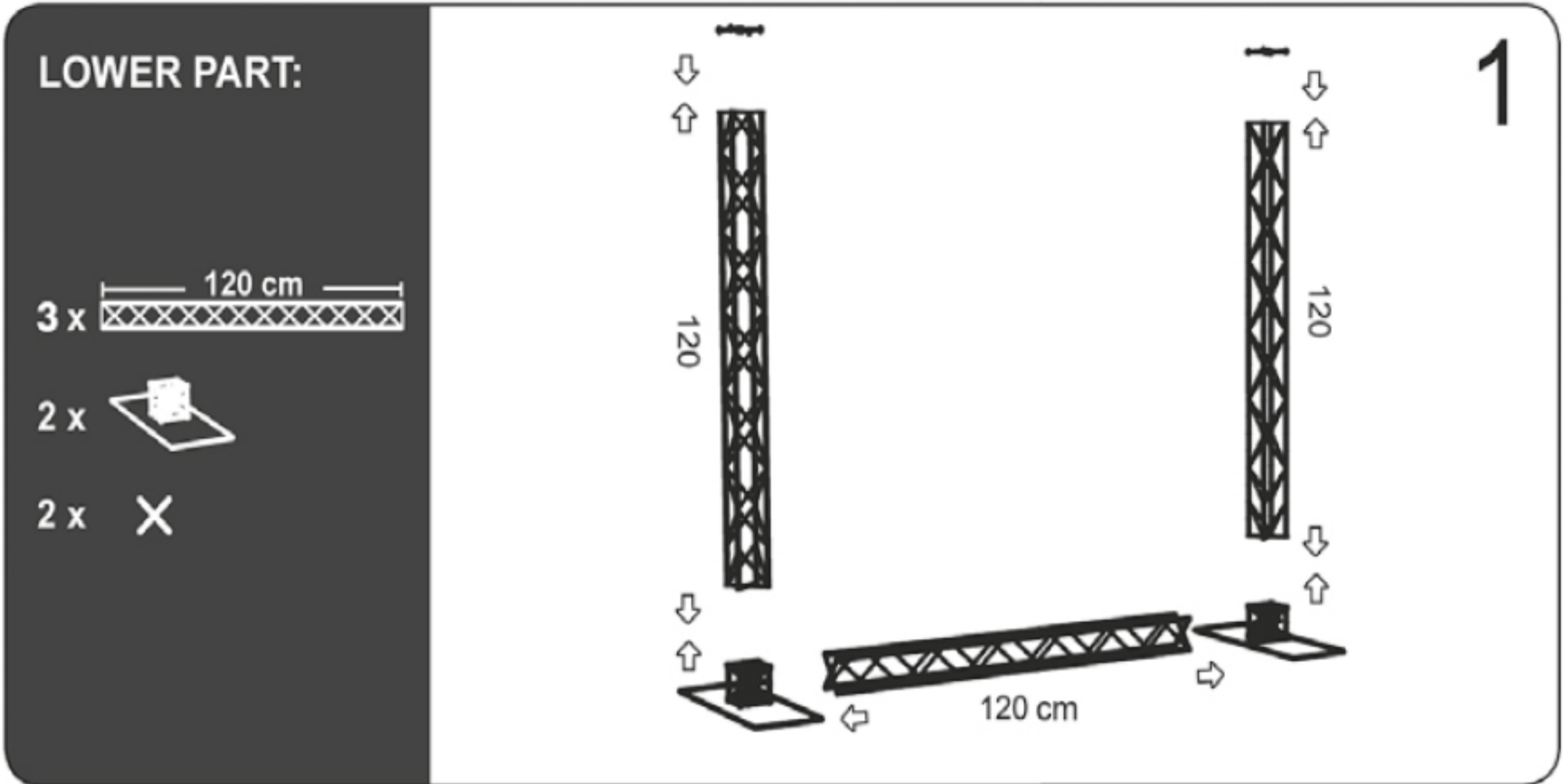




A modular truss system with unlimited possibilities. Made in strong and durable materials: aluminum, steel and composite. Foldable construction - very easy to assemble and disassemble.

Supplied complete with:
 2 x 90 + 4 x 120 cm Modules,
 4 x Corner Block,
 2 x Connector Cross,
 2 x Middle Base,
 8 x Top and Bottom Clips,
 2 x 120 cm Alu Profile,



Model	Art.no.	Print size	Colour	Total W x H x D	Weight
763	CT763BLACK	120 x 212 cm	Black	154 x 246 x 60,5 cm	24 kg